

# FULL LINE OF RADIATION SHIELDING PRODUCTS

## LEAD LINED SHEET ROCK SUBMITTAL

Radiation Protection Products (RPP) manufactures and distributes a full line of radiation shielding products. They include Lead Lined Doors (solid core wood, lead lined, and steel strapped), Lead Lined Drywall (otherwise known as Lead Lined Sheetrock or Lead Lined Gypsum Wallboard) and Lead Lined Plywood, Leaded X-ray Glass, Lead Lined Frames for borrowed lites and doors, pass boxes and many other lead products.

Radiation Protection Products uses only the finest quality material and exercises the best quality control possible.

We offer a top quality line of lead shielding products at a competitive price with delivery to satisfy your needs. For additional information concerning RPP's products or services, please contact us toll free at:

**888-746-4777 PHONE**

**866-554-8445 FAX**



### ALL SHIELDING PRODUCTS PROVIDED MEET THE FOLLOWING SPECIFICATIONS:

#### Sheet Lead

Sheet Lead shall meet or exceed the Federal Specification QQL-201 F Grade C and ASTM B749-03 Standard Specification for Lead and Lead Alloy Strip, Sheet and Plate Products, see NCRP reports #33, #35, #49 and #147.

#### Gypsum Board

Gypsum Board shall meet or exceed ASTM C36 A82.27, USDA SSL 30D Type III Grade X.

#### Leaded Glass

Leaded Glass shall meet or exceed Federal Specification DD-G-451.

Radiation Protection Products manufactures all lead shielding products in accordance with Lead Industries Hand Book and all NCRP Applicable Reports (#33, #35, #39, #40, #49 and #147) and NBS, HB. #114.

#### Cassette Transfer Cabinets

Cassette Transfer Cabinets shall meet or exceed MIL-C-3673 (DM).

#### Wood and Plastic Laminate Doors

All Wood Doors shall meet or exceed the ANSI/NWMA Industry Standard I.S.I.-80, I.S.I.4-80, NCRP Report #49.

### TERMS AND CONDITIONS OF SALES

#### Prices in U.S. Dollars

Prices are in U.S. dollars, F.O.B. factory, Chapel Hill, Tennessee, unless otherwise specified. Prices, specifications, and terms of sales are subject to change without notice. All orders are subject to review prior to acceptance.

#### Terms

Net 30 days on established accounts with approved credit. Visa/MasterCard.

#### Credit

New accounts, pending credit approval, may be immediately expedited by enclosing a check, wire transfer or credit card. To facilitate opening of accounts, please forward your bank and four (4) trade references. Tax-exempt or Resale Certificate required if applicable.

#### Minimum

Minimum invoice of \$500.00. Orders under \$500.00 may require payment by Visa or MasterCard.

#### Ordering/Purchasing

Your purchase order or contract is requested on all orders. All orders should be confirmed and clearly marked "Confirmation—Do Not Duplicate."

#### Shipment

Unless detailed shipping instructions are specified on all orders, we reserve the right to choose the method of transportation and to make partial shipments, if necessary.

#### Packaging/Set Up Charge

Special packaging quoted as extra. Set up charges may be applicable with certain fabrications.

#### Returns

Return merchandise will be accepted only with prior written authorization. Freight charges must be prepaid.



1000 Superior Boulevard, Suite 310 • Wayzata, MN 55391  
**1.888.RINGRPP** (1.888.746.4777) • TOLL FREE FAX: 1.866.554.8445  
www.radiationproducts.com

**servicing the nation's lead needs for over 50 years with a full line of radiation shielding products**

# RADIATION SHIELDING LEAD LINED DRYWALL

## DRYWALL

Radiation Protection Products uses only Fire Code Sheetrock products.

Lead Lined Drywall (also referred to as Lead Lined Sheetrock or Lead Lined Gypsum) is supplied with lead lining bonded to 1/2" or 5/8" drywall. Custom sizes for Lead Lined Drywall are quoted upon request. We also provide lead lining bonded to specialty drywall such as moisture and mold resistant board. Lead Lined Drywall is supplied with 2" strips of the same lead thickness and height and 3/8" diameter lead discs.

### Installation Information

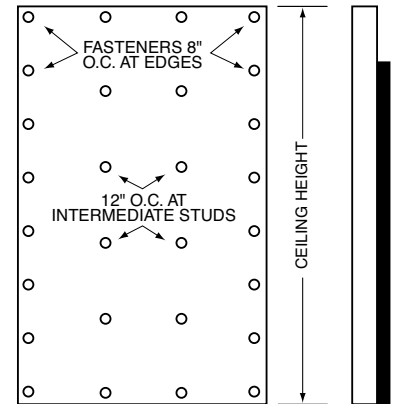
Lead Lined Drywall consists of a single unpierced sheet of lead laminated to the specified thickness of drywall. The bonding is accomplished with a continuous layer of mastic adhesive.

The Lead Lined Drywall should be fastened at a minimum of 8" on center at the edges of each sheet, and at a minimum of 12" on center at the intermediate studs with normal drywall screws. 2" wide strips of sheet lead of the same lead thickness should be applied to each of the joint studs using a standard type of construction adhesive, prior to installing the Lead Lined Drywall. These strips of sheet lead will provide the necessary 1" overlap with the adjoining sheets. Each fastener will be covered with a lead disc 3/8" in diameter and equal in thickness to the lead laminated to the sheetrock to eliminate the possibility of radiation leakage at the point of fastening. They should be applied using a fast drying construction adhesive.

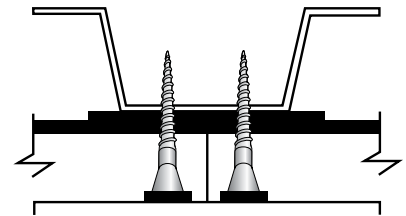
FOR LEAD THICKNESSES THAT EXCEED 1/8" PLEASE REFER TO OUR LEAD LINED PLYWOOD PAGE.

You may also call us directly to determine if layering lead is an option.

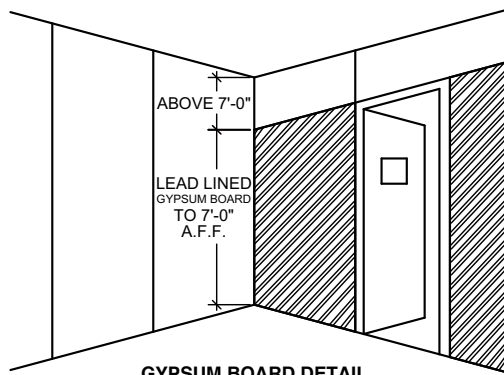
**Refer to the drawings here for the typical methods of installing and fastening lead laminated drywall.**



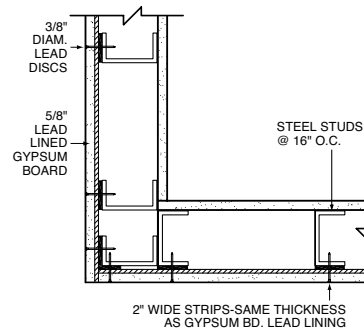
LEAD LINED GYPSUM BOARD TO HEIGHT INDICATED



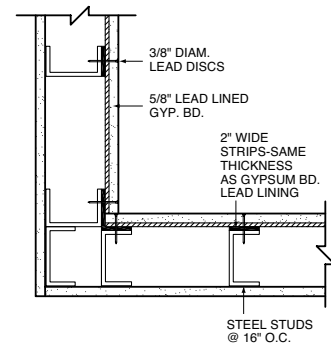
3/8" LEAD DISC



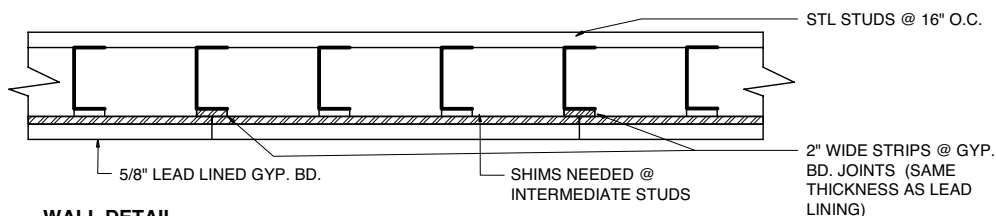
GYPSUM BOARD DETAIL



OUTSIDE CORNER STEEL STUDS



INSIDE CORNER STEEL STUDS



WALL DETAIL



1000 Superior Boulevard, Suite 310 • Wayzata, MN 55391  
**1.888.RINGRPP** (1.888.746.4777) • TOLL FREE FAX: 1.866.554.8445  
[www.radiationproducts.com](http://www.radiationproducts.com)

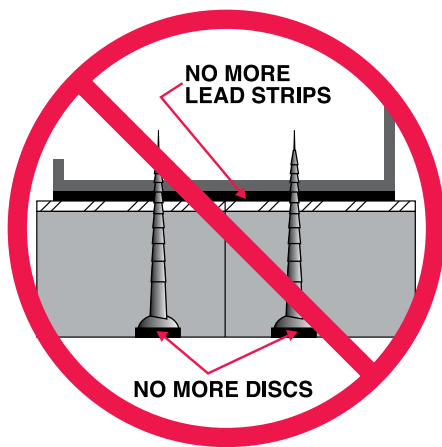
**servicing the nation's lead needs for over 60 years with a full line of radiation shielding products**

# RADIATION SHIELDING LEAD ANGLES

## LEAD ANGLES

### Save \$ on Labor... "Easy Installation"

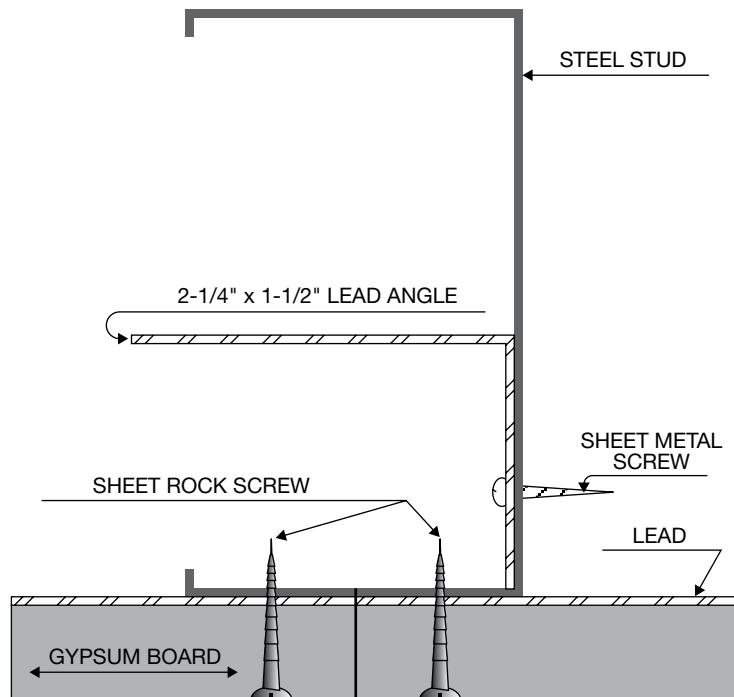
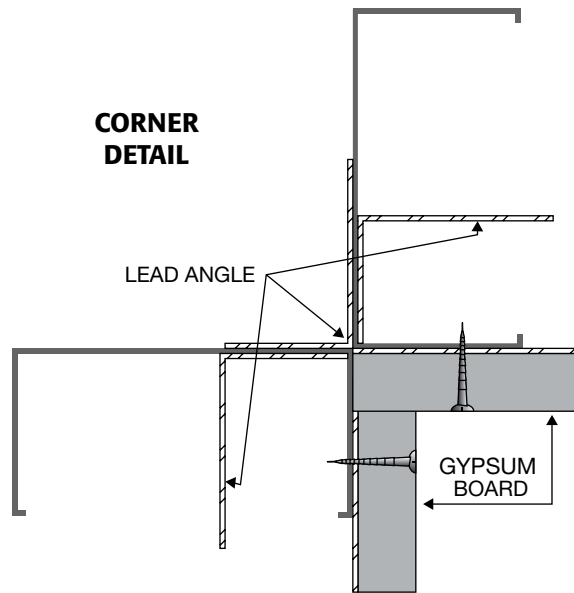
This leak-proof, Lead Angle system provides complete coverage of gamma rays...and eliminates LEAD STRIPS and DISCS for all Lead Lined Drywall and Lead Lined Plywood applications.



Our Leak-Proof Lead Angles are available in all lead requirements and all heights.

Available only at Radiation Protection Products, Inc

### CORNER DETAIL



**PATENTED**

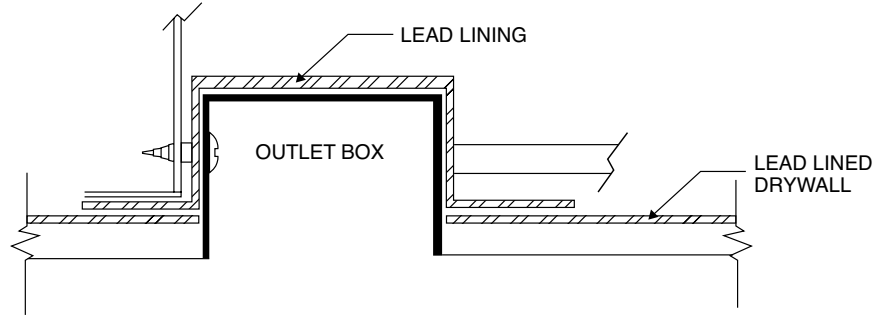


1000 Superior Boulevard, Suite 310 • Wayzata, MN 55391  
**1.888.RINGRPP** (1.888.746.4777) • TOLL FREE FAX: 1.866.554.8445  
www.radiationproducts.com

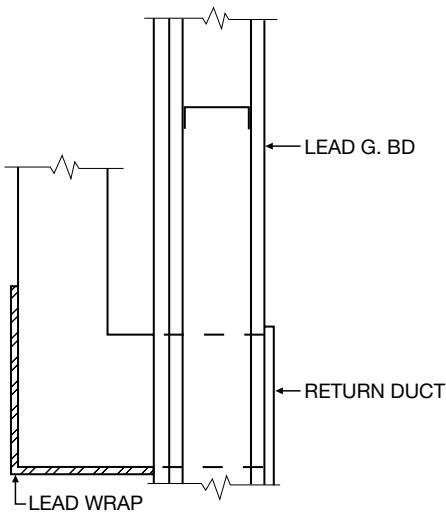
servicing the nation's lead needs for over 50 years with a full line of radiation shielding products

# RADIATION SHIELDING FOR CUT OUTS AND PENETRATIONS

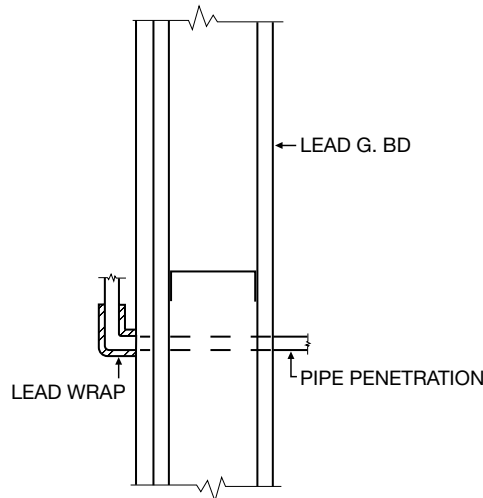
When installing lead lined drywall (lead lined sheetrock, lead lined gypsum), all cut outs and penetrations will require sheet lead to ensure continuous shielding throughout the room. Additional sheet lead can be easily allow for the proper shielding of penetrations such as receptacles, light switches, ducts and telephone/data cables



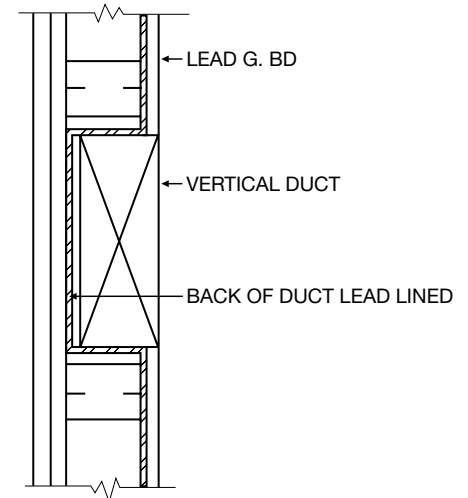
LEAD FOR OUTLET BOXES



THRU DUCT WRAP



(TYP) PIPE WRAP



WALL DUCT DETAIL



1000 Superior Boulevard, Suite 310 • Wayzata, MN 55391  
**1.888.RINGRPP** (1.888.746.4777) • TOLL FREE FAX: 1.866.554.8445  
[www.radiationproducts.com](http://www.radiationproducts.com)

**serving the nation's lead needs for over 50 years with a full line of radiation shielding products**

# PURE LEAD PRODUCTS

## SHEET LEAD



Radiation Protection Products uses only the purest lead available for our Sheet Lead and Lead Bricks. Absolutely no refining takes place at our facility, making us one of the cleanest, most environmentally friendly radiation shielding providers in the industry, providing you with the highest quality sheet lead available.



If you have any questions about the Sheet Lead we can provide, please contact Radiation Protection Products.

### NOMINAL SHEET LEAD SIZES AND WEIGHTS\*

Actual Thickness	Pounds Per Sq. Ft.	App. Thickness in Inches	
		Decimal	Fraction
	1	.0156	1/64 - .5mm
	1 1/2	.0234	3/128
	2	.0312	1/32
	2 1/2	.0391	5/128 - 1.0 mm
	3	.0468	3/64
	3 1/2	.0547	7/128
	4	.0625	1/16 - 1.58mm
	5	.0781	5/64 - 2.1mm
	6	.0937	3/32 - 2.5mm
	7 1/2	.1250	1/8
	10	.1563	5/32
	12	.1875	3/16
	14	.2188	7/32
	15	.2500	1/4
	20	.3333	1/3
	24	.4000	2/5
	30	.5000	1/2
	40	.6667	2/3
	60	1.000	1

*\*The weights given apply to common lead only. Other types of lead, such as antimonial or hard lead, weigh slightly less for a given thickness.*



1000 Superior Boulevard, Suite 310 • Wayzata, MN 55391  
**1.888.RINGRPP** (1.888.746.4777) • TOLL FREE FAX: 1.866.554.8445  
[www.radiationproducts.com](http://www.radiationproducts.com)

**serving the nation's lead needs for over 50 years with a full line of radiation shielding products**

# PARTIAL LIST OF JOBS FURNISHED BY RPP

JOB	LOCATION	CONTRACTOR
Bay Care Med Center	Green Bay, WI	M.A. Mortenson Co.
Montgomery General Hospital	Olney, MD	H.B.E. Co.
Cleveland Clinic	Wooster, OH	Marshall Erdman
Fort Defiance Health Care	Fort Defiance, AZ	Border Glass & Aluminum
		Empire Lath & Plaster
		Flintco Construction
Elmdorf Air Force Base	Anchorage, AK	M.A. Mortenson
Mayo Clinic	Rochester, MN	Mulachy Drywall
Mayo Clinic	Rochester, MN	M.A. Mortenson
Mayo Clinic	Rochester, MN	Weis Builders
Hazardous Devices School	Redstone Arsenal, AL	
Travis Air Force Base	Travis AFB, CA	Newberg-Brinderson
Montefiore Medical Center	Bronx, NY	Nastasi & Associates
		Turner Construction
		M.A. Mortenson Co.
V.A. Medical Hospital	Minneapolis, MN	VVP America Inc. dba Binswanger Glass
Regional Medical Center	Fayetteville, AR	Olympic Wall Systems
GE Test Cells	Waukesha, WI	
Cessna Airlines	Wichita, KS	
Northwest Airlines	Minneapolis, MN	
Phillips Medical Systems	Scarborough, OH	
Syncor	Hicksville, NY	
U.S.L.E. Base	Sand Island, HI	Paglia Engineering
Smith Hospital	Valdosta, GA	Brasfield & Gorri
V.A. Hospital	Ann Arbor, MI	P.J. Dick
McMinnville Community Hospital	McMinnville, OR	McDevitt Street Bovis
Mary Washington Hospital	Fredricksburg, VA	Centex Rodgers



1000 Superior Boulevard, Suite 310 • Wayzata, MN 55391  
**1.888.RINGRPP** (1.888.746.4777) • TOLL FREE FAX: 1.866.554.8445  
[www.radiationproducts.com](http://www.radiationproducts.com)

**servicing the nation's lead needs for over 50 years with a full line of radiation shielding products**