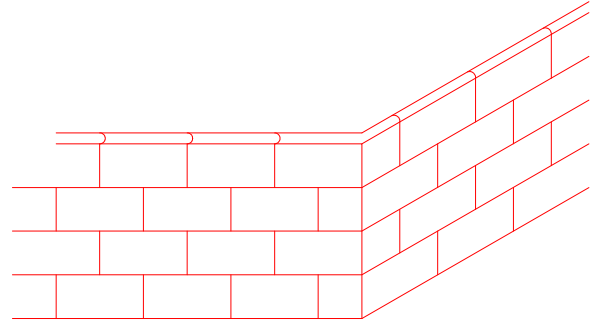
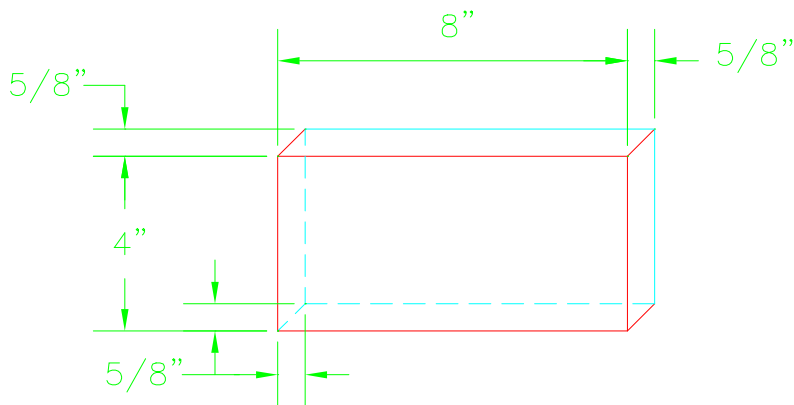


RPP'S INTERLOCKING LEAD BRICKS
TONGUE AND GROOVED

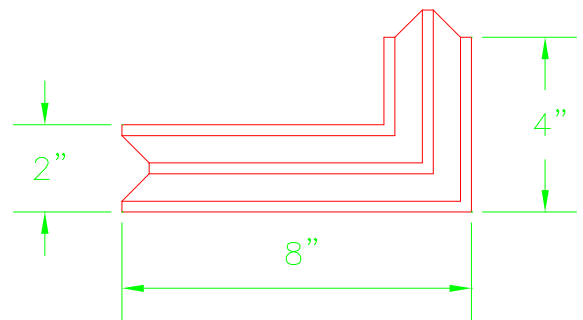
AVAILABLE IN VARIOUS
THICKNESS, HEIGHTS AND
LENGTHS.



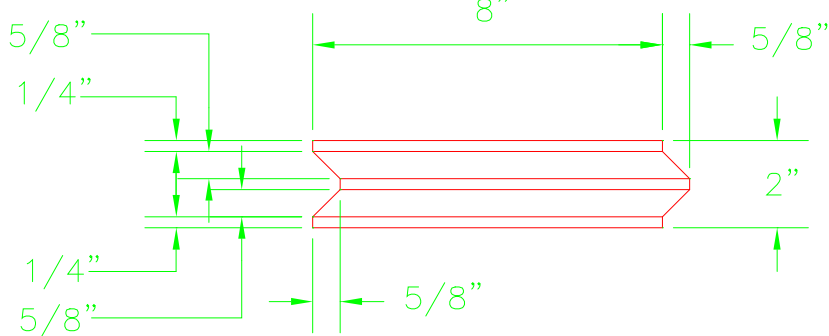
TYPICAL WALL ELEVATION



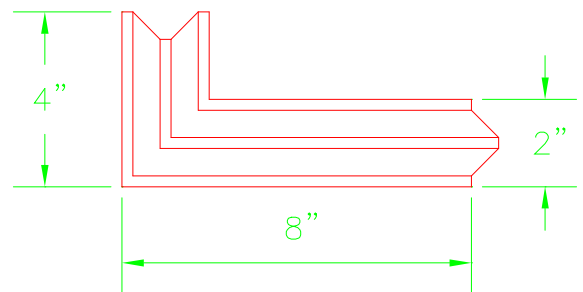
SIDE



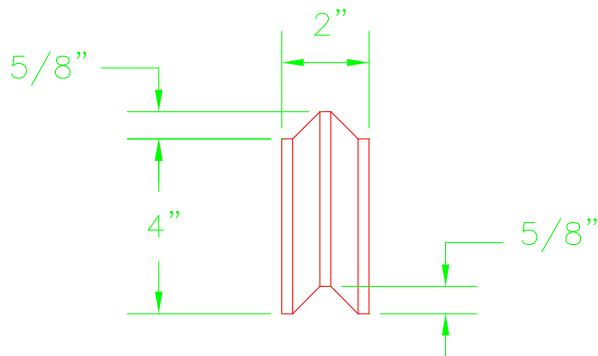
R.H.CORNER



TOP



L.H.CORNER



END

SHOWN: STANDARD 2"x4"x8"
CORNERS SHOWN AVAILABLE
IN BOTH 4" AND 8" LENGTHS