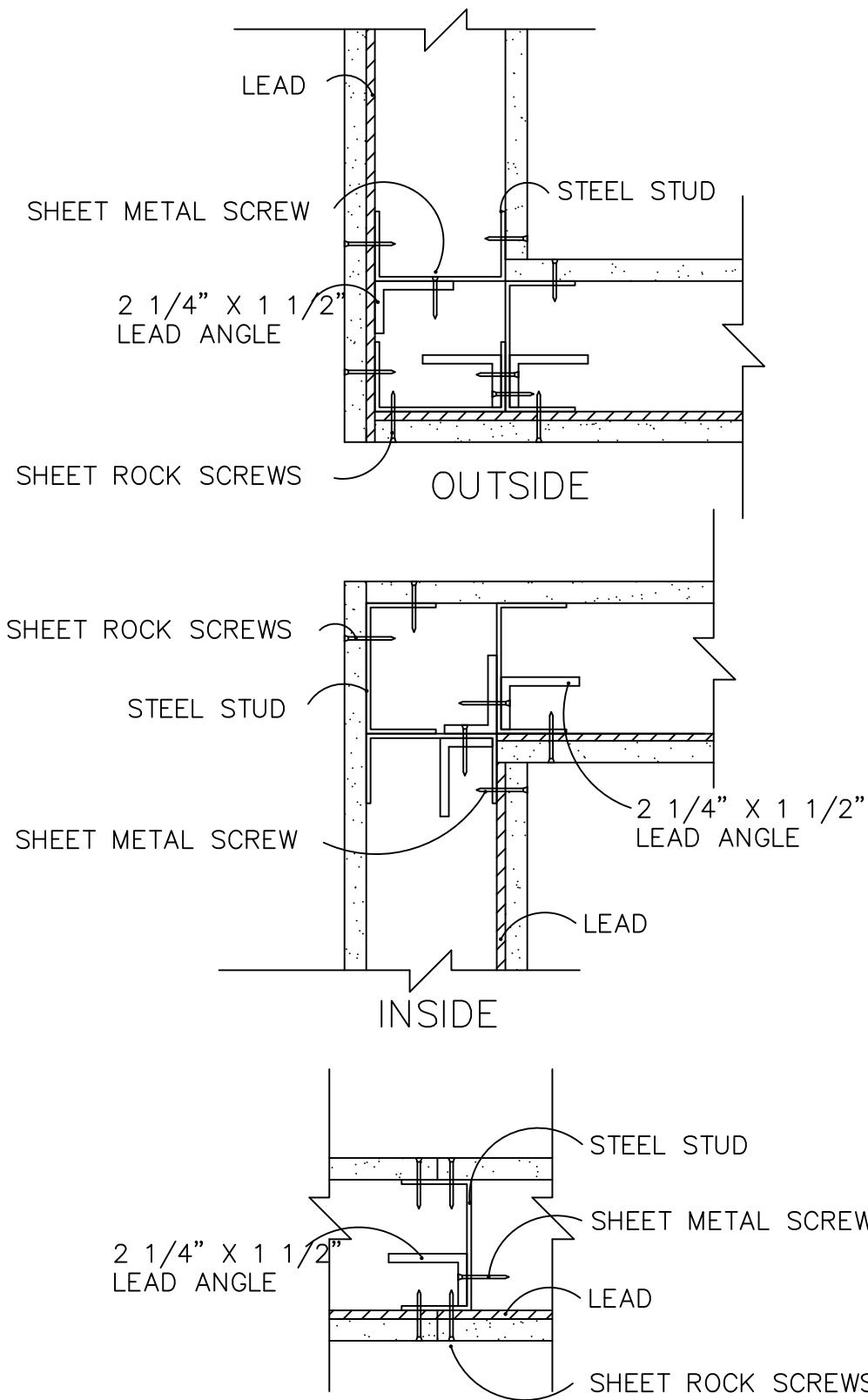


LEAD ANGLE SYSTEM
RPP INC. 1-888-746-4777
US PATENT 6,550,203



LEADED ANGLE SYSTEM

CORNER DETAIL